

MIRAGE B108

2 METER AMPLIFIER

The MIRAGE B108 represents the latest in 2 Meter Power Amplifiers. It incorporates features that make it the most useful and versatile amplifier available today. The B108 has a built-in receive preamp, variable SSB delay, remote keying and complete remote control, when using the optional RC-1, Remote Head. It will amplify both FM and SSB signals.

SPECIFICATIONS:

FREQUENCY RANGE..... 144 to 148 MHz
POWER..... 5-15 Watts input 80 Watts nominal output
MODES..... FM, SSB and CW
RECEIVE PREAMP..... 10 db gain - $2.5 \pm .5$ db noise figure
DC POWER..... 13.6 VDC at 10-12 Amps
IMPEDANCE..... 50 Ohm input and output
SIZE..... 5 3/8 X 3 X 8
WEIGHT..... 3 LBS.

INSTALLATION:

The B108 may be mounted by using the brackets, supplied. The B108 must have adequate ventilation around the heat sink. Use of large wire to connect the B108 to the battery is recommended. Use good quality 50 Ohm co-ax, between the radio and the B108, as well as to the antenna. The antenna should be matched, to better than 1.5:1, for best performance. Higher SWR will not damage the amplifier but it will degrade the system performance.

OPERATION:

Front Panel Functions:

Power - ON/OFF - This switch turns the power amplifier ON and OFF.

SSB/FM - Selects the relay time delay for the mode of operation.

Preamp - ON/OFF - Turns ON and OFF the receive preamp. This works independently from the Power ON/OFF switch.

Rear Panel Functions:

"RADIO" - This connects to the transmitter or transceiver.

"ANT" - This connects to the antenna.

FUSE HOLDER - 15 Amp fuse

3 PIN POWER CONNECTOR - Pin 1 is for remote keying-connect to ground to key antenna relay.

Pin 2 is + 13.6.

Pin 3 is ground.

6 PIN REMOTE CONNECTOR - The RC-1 Remote Control Head connects here.

Internal Adjustments:

"SSB DELAY" - This allows the relay delay to be adjusted to any desired delay. Access to this adjustment is through the hole in the left side of the cover, behind the front panel. Use a small screwdriver to adjust the control.

"INPUT" and "OUTPUT" MATCH - These are factory adjusted and do not normally require adjustment. The cover must be removed to make these adjustments. Connect an SWR meter between the radio and the input to the amplifier. Adjust the "INPUT" trimmer capacitor (marked yellow) for lowest SWR. Connect a power meter to the output and adjust the "OUTPUT" trimmer capacitor (marked green) for maximum output.

IN CASE OF DIFFICULTY:

1. Check for loose antenna or B+ connections.
2. Check S.W.R. of antenna.
3. Look for bad or lossy co-ax.

5 year warranty

LIMITED WARRANTY

on parts and labor
(1 year on P. Power trans.)

Any MIRAGE product found defective in materials or workmanship (excluding RF Power Transistors), within 1 year from date of purchase, by the original owner, will be replaced or repaired at no charge, if the product is returned to the factory, freight prepaid. RF Power Transistors are guaranteed for 90 days from date of purchase.

MIRAGE assumes no responsibility for any antenna, radio or accessories connected to this product.

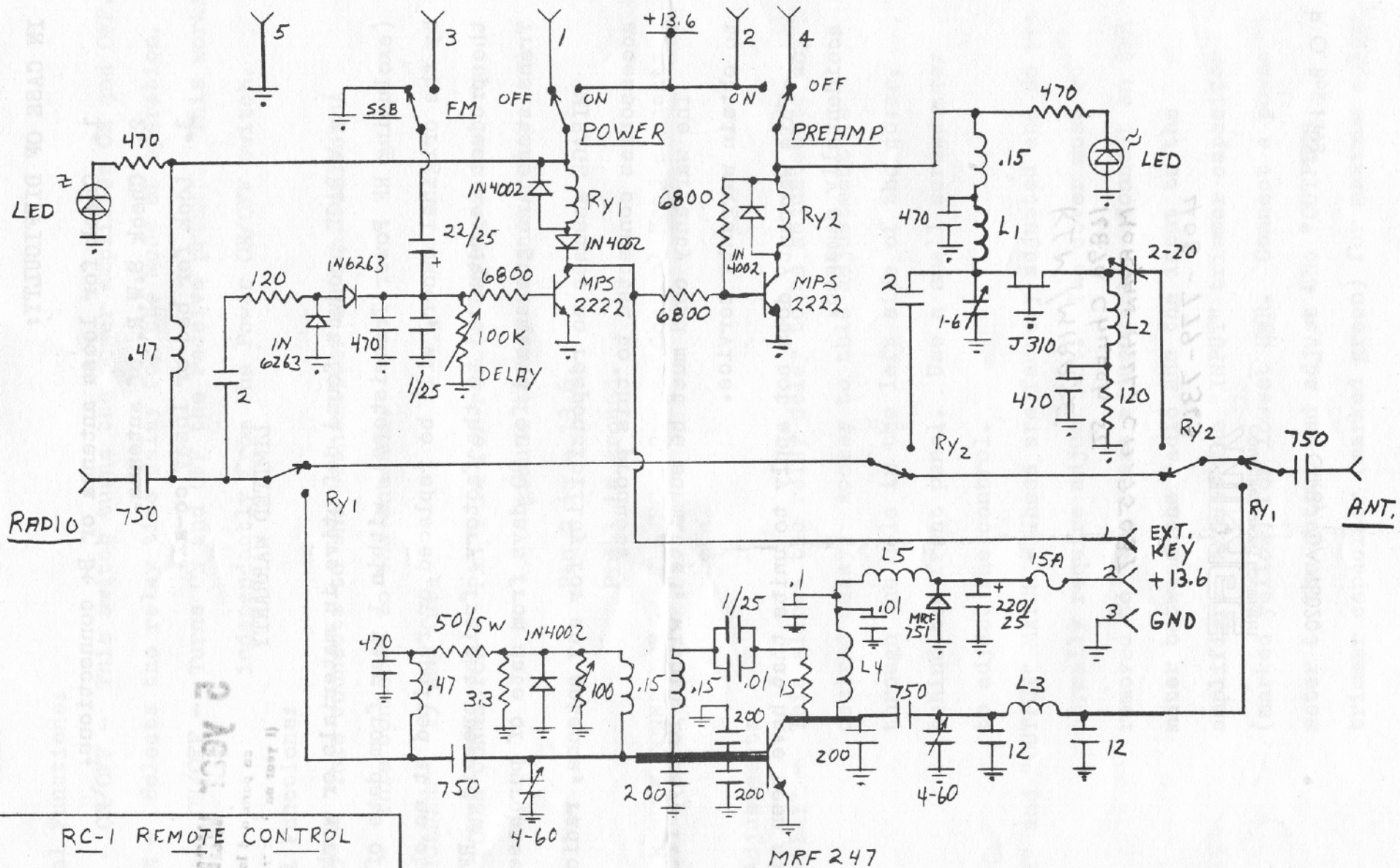
The warranty card must be submitted, within 10 days from purchase, to obtain warranty service.

This warranty does not apply to units that have been misused or accidentally damaged.

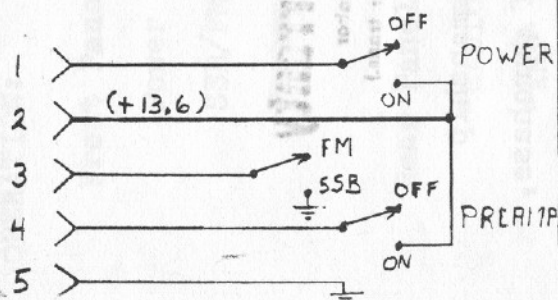
KLM/MIRAGE
16890 Church ST.
MORGAN HILL, CA. 95037

408 - 779 - 7363

MIRAGE
COMMUNICATIONS EQUIPMENT



RC-1 REMOTE CONTROL



MIRAGE B108 2 METER AMPLIFIER
8-30-78